

DIXIE-MARCO, INC.
SERVICE BULLETIN #104

Date: November 18, 1969

MODELS: DM170-5 (1968, 1969) and DM170-5 Seventies' Series

SUBJECT: Installation of Seventies' Series Main Door on (1968-69) DM170-5

PART NUMBER OF

SERVICE DOOR ASSY.: C142,011,000.03 - DM170-5

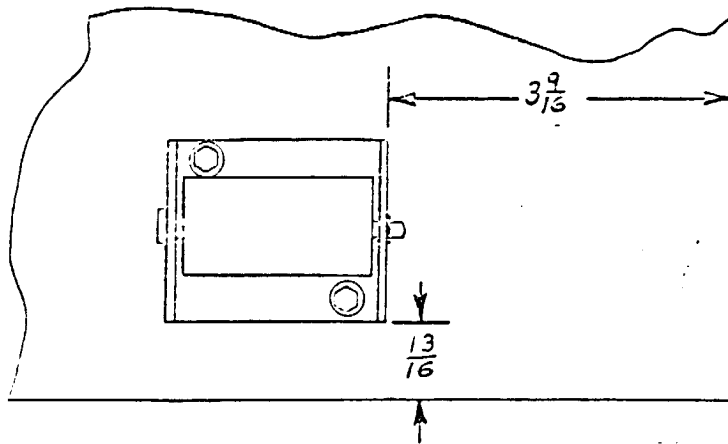
DO THIS:

1. Detach old Door Wiring Harness from cabinet.
2. Remove top cabinet hinge.
3. Remove old door.
4. Remove old door lifter from cabinet.
5. Install flanged bushing in bottom hinge hole of new door.
6. Install four (4) screws (900,201,140.01) in unused hinge holes, top of door.
7. Mount new door.
8. Replace top cabinet hinge.
9. Attach new Door Wiring Harness to cabinet.
10. Use roller bracket, in position shown, as template to drill two (2) No. 25 (.1495 dia.) holes.
11. Attach roller bracket and three (3) shims with two (2) self tapping screws.
12. Adjust hinges and latch strike to assure good seal.

KIT PARTS:

1. 1 pc. A901,800,330.51 Flanged Bushing
2. 4 pc. 900,201,140.01 Machine Screw, S.S. #10-32 x 1/2, Truss Head.
3. 1 pc. 142,161,700.03 Ass'y. Door Lifter Bracket
Consisting of:
 - a. 1 pc. A142,160,530.23 Roller Bracket
 - b. 1 pc. A801,801,330.51 Roller
 - c. 1 pc. A142,160,540.03 Roller Pin
 - d. 1 pc. 900,900,900.01 Retaining Ring
 - e. 3 pc. A142,160,580.13 Spacer Roller Bracket
 - f. 2 pc. 900,300,320.01 Self Tapping Screws, #10-24x5/8 Hex
 - g. 2 pc. 903,000,170.02 Lock washer

NOTE: Kit parts are not needed when installing a Seventies' Series Main Door on a Seventies' Series DM170-5.



Dixie-Marco, Inc.
Service Department